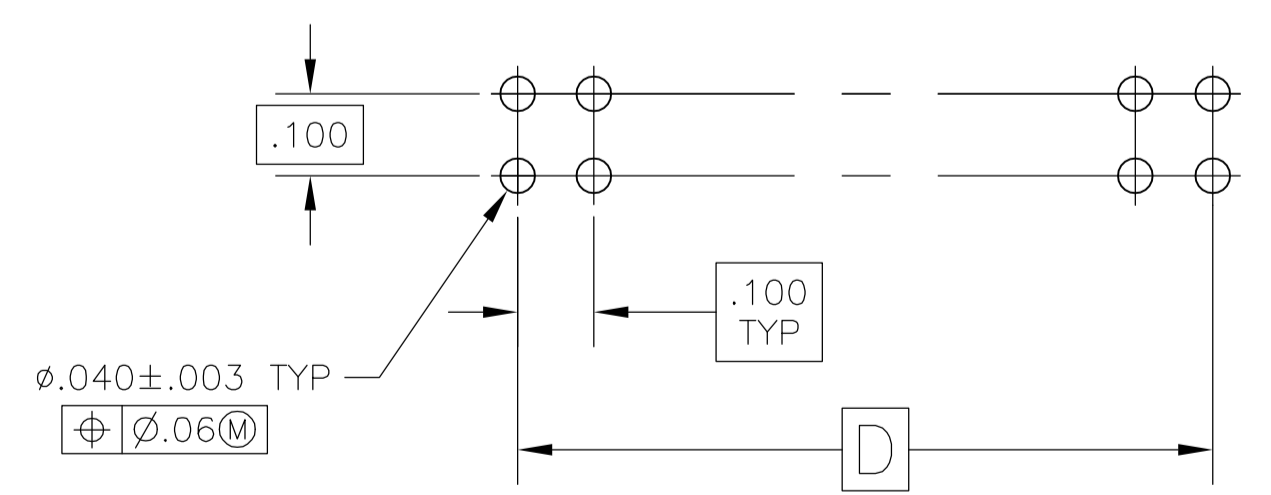
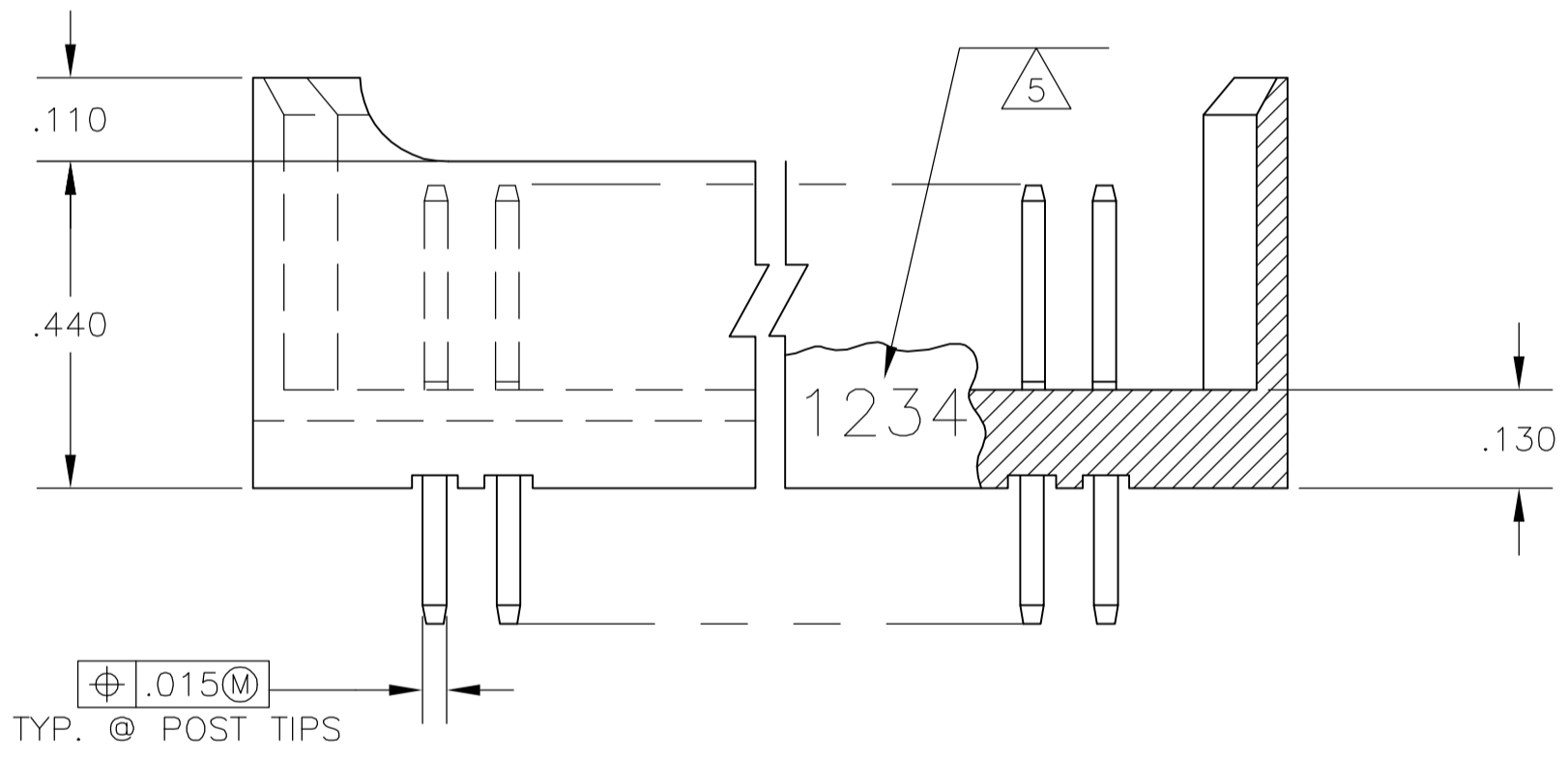


SECTION X-X



RECOMMENDED P.C. BOARD HOLE LAYOUT

NOTES:

- 1 HOUSING : FLAME RETARDANT THERMOPLASTIC, COLOR-BLACK.
- 2 CONTACT : COPPER ALLOY.
- 3 .00003 GOLD OVER .000050 NICKEL @ AREA "G", .000100-.000200 BRIGHT TIN-LEAD OVER .000050 NICKEL ON SOLDER POST AREA.
- 4 POINT OF MEASUREMENT FOR PLATING THICKNESS.
- 5 RECESSED DATE CODE.
- 6 .000030 GOLD OVER .000050 NICKEL AT AREA "G", .000100-.000200 MATTE TIN OVER .000050 NICKEL ON SOLDER POST AREA.
- 7 ROHS 2002/95/EC COMPLIANT.

	6	3.870	3.500	35	3.900	3.980	72	5-535516-9
	6	5.270	4.900	49	5.300	5.380	100	5-535516-8
	6	3.270	2.900	29	3.300	3.380	60	5-535516-5
	6	2.270	1.900	19	2.300	2.380	40	5-535516-4
	6	2.770	2.400	24	2.800	2.880	50	5-535516-3
	6	1.270	.900	9	1.300	1.380	20	5-535516-2
	6	1.770	1.400	14	1.800	1.880	30	5-535516-1
	3	3.870	3.500	35	3.900	3.980	72	535516-9
	3	5.270	4.900	49	5.300	5.380	100	535516-8
OBSOLETE	3	4.270	3.900	39	4.300	4.380	80	535516-7
OBSOLETE	3	3.770	3.400	34	3.800	3.880	70	535516-6
	3	3.270	2.900	29	3.300	3.380	60	535516-5
	3	2.270	1.900	19	2.300	2.380	40	535516-4
	3	2.770	2.400	24	2.800	2.880	50	535516-3
	3	1.270	.900	9	1.300	1.380	20	535516-2
	3	1.770	1.400	14	1.800	1.880	30	535516-1
FINISH		E	D	C	B	A	NO. POSN.	PART NO.

THIS DRAWING IS A CONTROLLED DOCUMENT.		DWG	21MAR88	Tyco Electronics Corporation Harrisburg, Pa 17105-3608
DIMENSIONS: INCHES		CHK	21MAR88	
TOLERANCES UNLESS OTHERWISE SPECIFIED:		APVD	21MAR88	NAME
0 PLC	± .005	PRODUCT SPEC		HEADER ASSEMBLY, MOD II,
1 PLC	± .005	APPLICATION SPEC		DOUBLE ROW, .100 X .100 Q,
2 PLC	± .005	MATERIAL		.025 SQ. SOLDER POST.
3 PLC	± .005	SIZE	CAGE CODE	DRAWING NO
4 PLC	± .005	WEIGHT	A1	00779
ANGLES	± .005	CUSTOMER DRAWING	SCALE	4:1
		SHEET	1	OF 1
		REV		B1